

# 120 AG series

x120x25mm



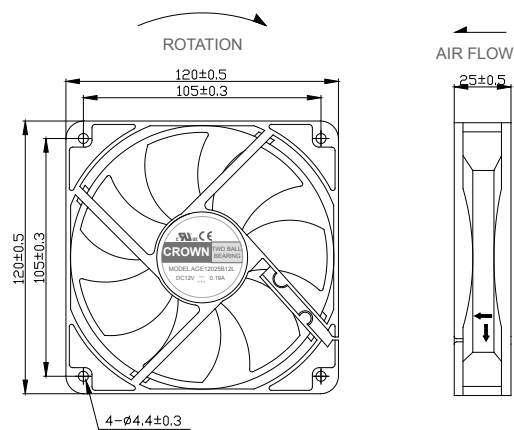
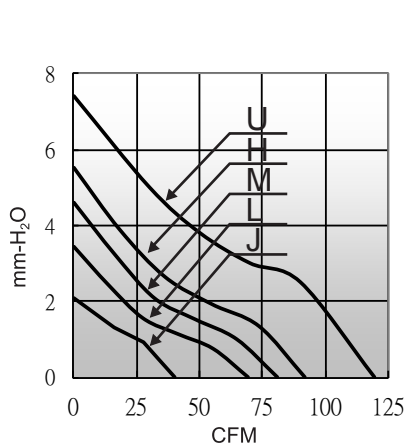
## General Specifications

- Motor : 4 Poles brushless DC motor
- Frame & Impeller : Plastic(UL 94V-0)
- Storage temperature : -40° to +75°
- Operating temperature : -10° to +70°

## Major Characteristic Parameters

| Model        | *Bearing System | Rated Voltage | Operating Voltage Range | Rated Current | Rated Speed | Maximum Air Flow    |       | Maximum Static Pressure |                     | Sound Level | Weight |
|--------------|-----------------|---------------|-------------------------|---------------|-------------|---------------------|-------|-------------------------|---------------------|-------------|--------|
| Part NO.     | B / S / F       | V             | V                       | A             | RPM         | m <sup>3</sup> /min | CFM   | mm-H <sub>2</sub> O     | In-H <sub>2</sub> O | dBA         | g      |
| AGE12025_12J | B E S           | 12            | 6.0~13.2                | 0.08          | 1200        | 1.15                | 40.6  | 2.1                     | 0.08                | 19.0        | 152    |
| AGE12025_24J | B E S           | 24            | 14.0~26.4               | 0.05          | 1200        | 1.15                | 40.6  | 2.1                     | 0.08                | 19.0        | 152    |
| AGE12025_12L | B E S           | 12            | 6.0~13.2                | 0.19          | 1900        | 1.97                | 69.6  | 3.4                     | 0.14                | 29.0        | 152    |
| AGE12025_24L | B E S           | 24            | 14.0~26.4               | 0.15          | 1900        | 1.97                | 69.6  | 3.4                     | 0.14                | 29.0        | 152    |
| AGE12025_12M | B E S           | 12            | 6.0~13.2                | 0.21          | 2200        | 2.28                | 80.6  | 4.6                     | 0.18                | 31.0        | 152    |
| AGE12025_24M | B E S           | 24            | 14.0~26.4               | 0.12          | 2200        | 2.28                | 80.6  | 4.6                     | 0.18                | 31.0        | 152    |
| AGE12025_12H | B E S           | 12            | 6.0~13.2                | 0.25          | 2500        | 2.60                | 90.0  | 5.3                     | 0.22                | 36.0        | 152    |
| AGE12025_24H | B E S           | 24            | 14.0~26.4               | 0.13          | 2500        | 2.60                | 90.0  | 5.3                     | 0.22                | 36.0        | 152    |
| AGE12025_12U | B E S           | 12            | 6.0~13.2                | 0.45          | 3100        | 3.38                | 119.4 | 7.4                     | 0.29                | 40.0        | 152    |
| AGE12025_24U | B E S           | 24            | 14.0~26.4               | 0.31          | 3100        | 3.38                | 119.4 | 7.4                     | 0.29                | 40.0        | 152    |

\*Bearing system B: Two Ball Bearing F: Fluid Bearing S: Sleeve Bearing



unit:mm